



IMT®

A 70

hydraulic drill rig

IMT

INVT[®]



A 70

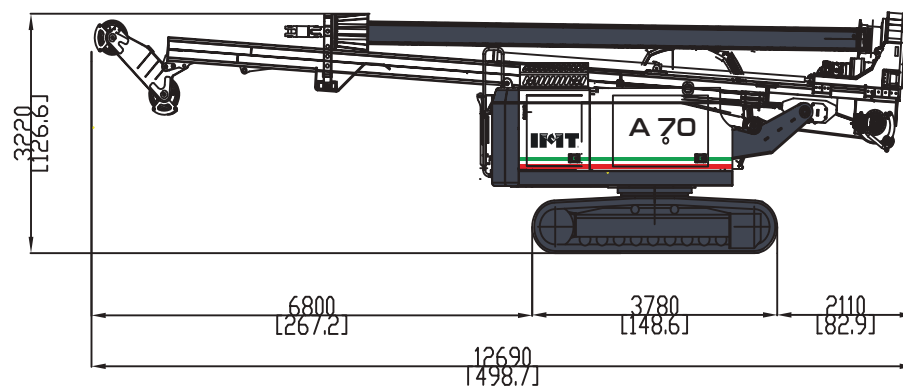
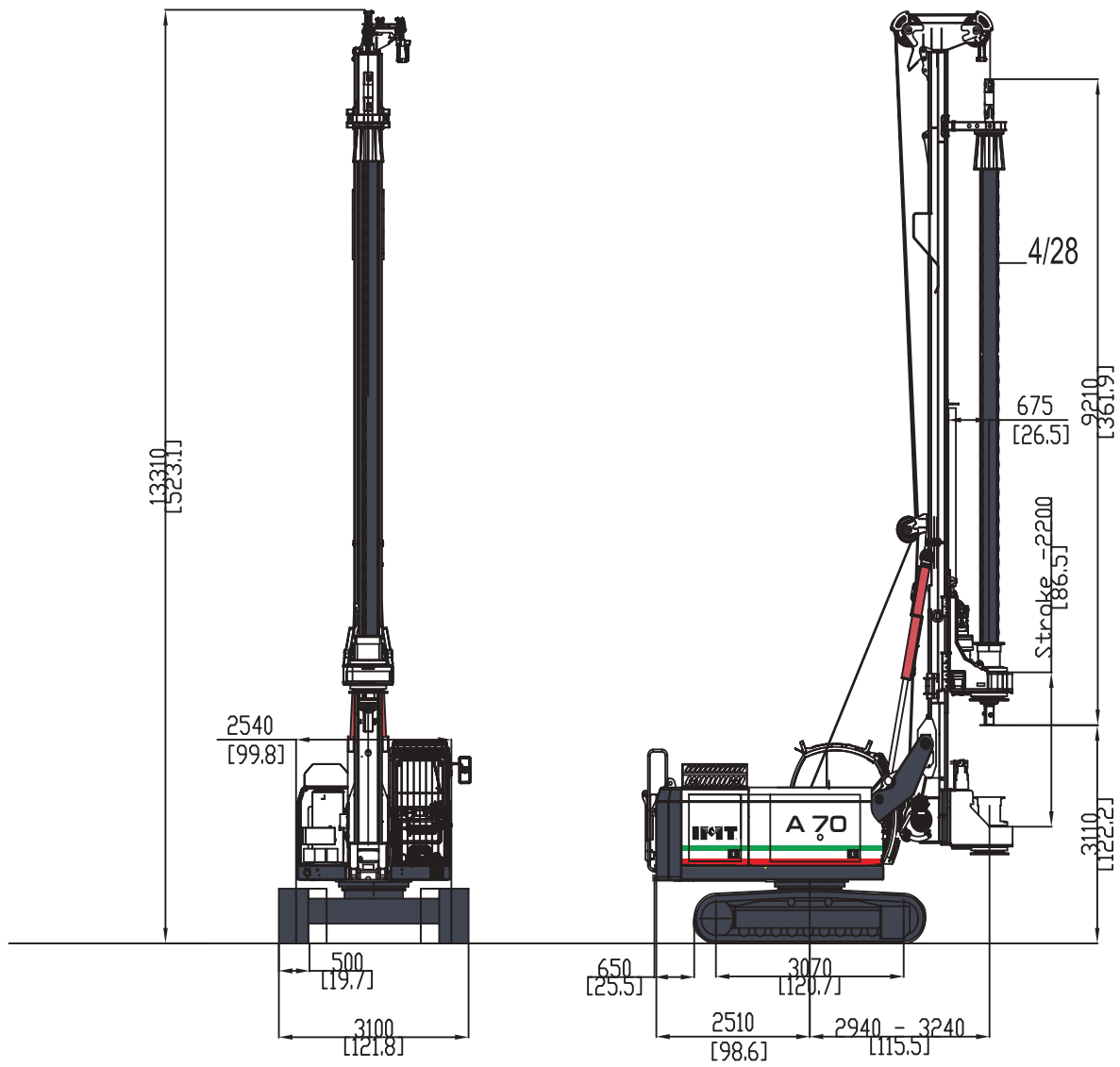


IMT, a global leader in the manufacture of drill rigs and a brand which has always been synonymous with quality and reliability in the pursuit of satisfying market demand, is pleased to present a new series of A drill rigs. This new line is unique in its simplicity and flexibility of use, while also perfectly maintaining sturdiness and productivity.

The A70 drill rig is suitable for the use in several different configurations, with very simple procedures for the passage from one version to another. The machine was designed for very arduous applications as, thanks to its compact dimensions, powerful winch and rotary it allows to perform very fast working cycles in small job sites. Its heavy duty variable gauge undercarriage guarantees optimal stability in various working conditions and configurations.

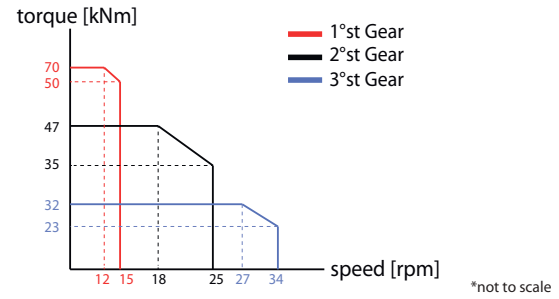
A 70 - Hydraulic Drill Rig

Crowd cylinder version



A70 Crowd Cylinder

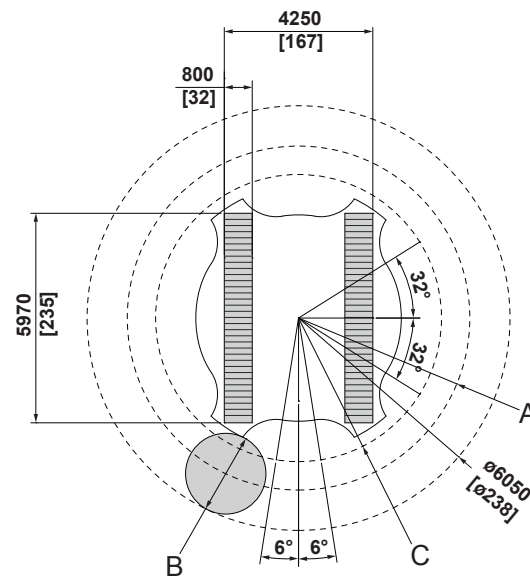
Rotary		
Nominal torque	kNm	70
	lbf ft	51600
Min. Working speed	rpm	12
Max. Working speed	rpm	34
Min. Discharge speed	rpm	60
Max. Discharge speed	rpm	90



Winches		
Main winch pull force	kN	85
	lbf	19110
Main winch speed	m/min	70
	ft/min	230
Main winch cable diameter	mm	20
	in	/
Auxiliary winch pull force	kN	30
	lbf	6750
Auxiliary winch speed	m/min	35
	ft/min	110
Auxiliary winch cable diameter	mm	12
	in	/
Crowd System		
Kelly crowd push	kN	90
	lbf	20235
Kelly crowd pull	kN	100
	lbf	22500
Stroke (mm)	mm	2200
	in	86
Base		IMT
Undercarriage length / widening range / shoe	mm	3780 / 2540 - 3100 / 500
	in	152 / 100 - 122 / 19,8
Engine type		CUMMINS F3-8 T4 FINAL STAGE ▽ 100 KW (136 HP) @1800 rpm
Oil tank capacity	l	180
Fuel tank capacity	l	185
Mast		
Mast raking forward	degree	4°
Mast side raking	degree	±5°
Mast raking backwards	degree	15°
Pile max diameter (in front of mast)	mm	1300
	in	51
Kelly bar		
Standard		4/28
Options available		4/22 - 4/32 - 4/35
Operating Weight w/standard kelly bar	t (metric)	25,1
	lbs	55300

A70 - Hydraulic Drill Rig

Working area crowd cylinder



A MAX WORKING RADIUS 3240 [R 127]

B MAX TOOL DIAMETER 1300 [ø 51]

C MIN WORKING RADIUS 2940 [R 115]

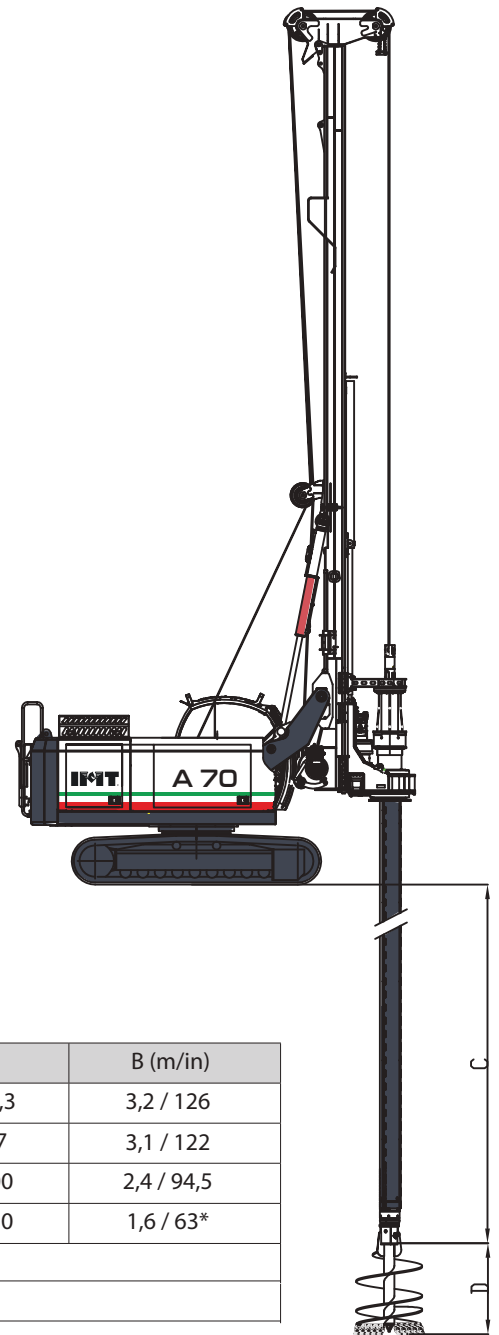
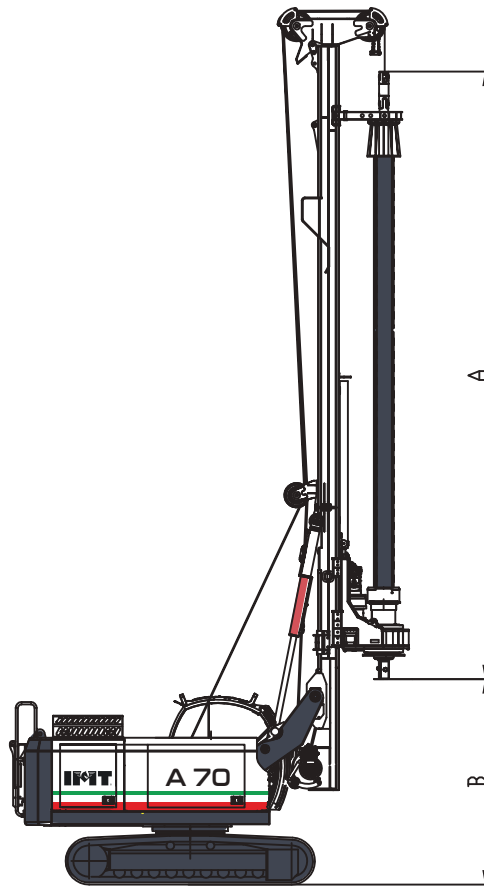
Equipment

- STANDARD EQUIPMENT -
Air conditioner
Neutral lever (lock out) for all control
Guard cab front
Guard cat top
Top cabin working lights
Fuel refill pump
Engine diagnostic system
Main and auxiliary load sensing circuit
Free flow during drilling phase
Automatic bottom hole stop
Depth measuring device on main winch
Mast inclination measurement
Kelly bar interlocking 4/28 (28m depth)
Rotary suitable for every kind of kellybar
"Y" shape derrick

- OPTIONAL EQUIPMENT -
Biodegradable oil
Rear camera / Lateral camera
CFA kit
Universal joint kit
LCA kit
Every kind of Kelly bar
Tier 3 engine
GPS kit

A70 - Hydraulic Drill Rig

Kelly bar standard version



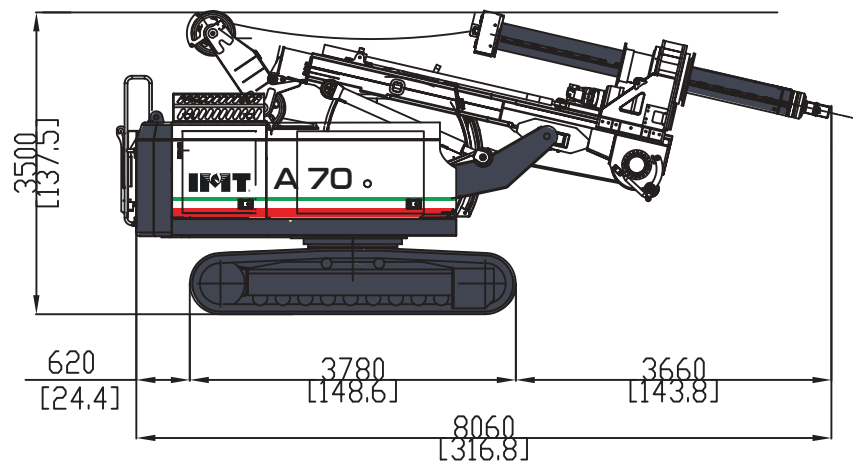
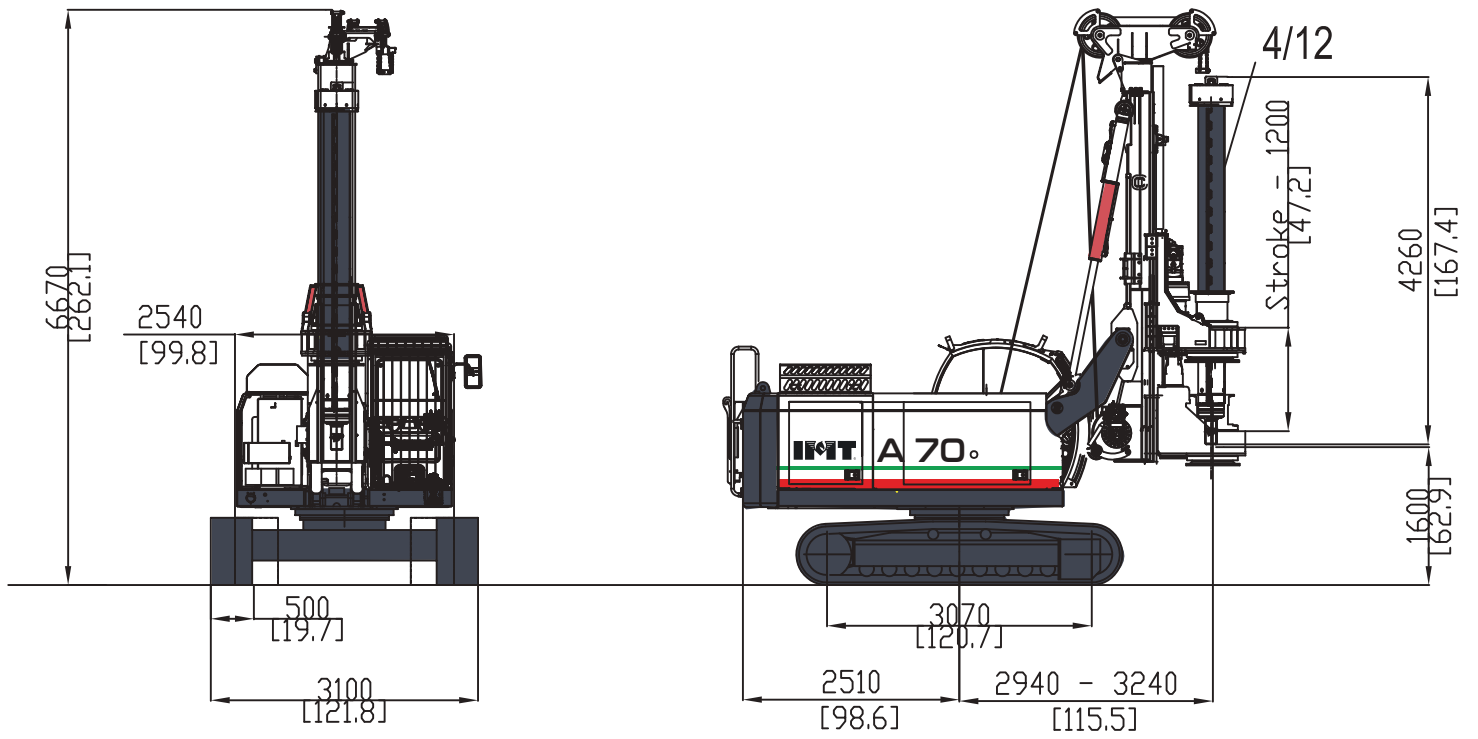
4 PARTS

Kelly bar	A (m/in)	W (kg/lb)	C (m/ft)	B (m/in)
4 / 22	7,8 / 307	2000 / 4400	20,5 / 67,3	3,2 / 126
4 / 28	9,2 / 362	2400 / 5300	26,5 / 87	3,1 / 122
4 / 32	10,2 / 401	2750 / 6060	30,5 / 100	2,4 / 94,5
4 / 35	11 / 433	300 / 6610	33,5 / 110	1,6 / 63*
* Mast extension 600 mm lenght available to increase clearance				

D	1,5 (m)	130 x 130 mm
Standard square joint other dimension available		
Further kelly bars availabre on request		

A70 - Hydraulic Drill Rig

LCA version

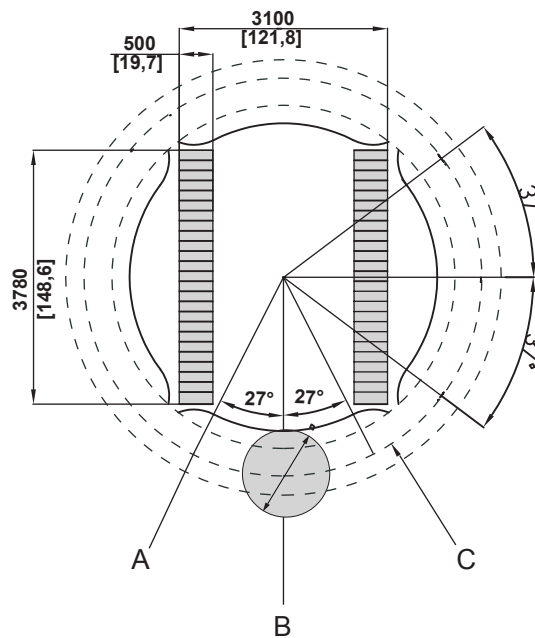


A70 - Hydraulic Drill Rig

Technical specifications

Crowd System		
Stroke	mm	1200
	in	47,2
Kelly Bar		
Standard		4/12
Operating Weight without auger	t (metric)	23
	lbs	50700

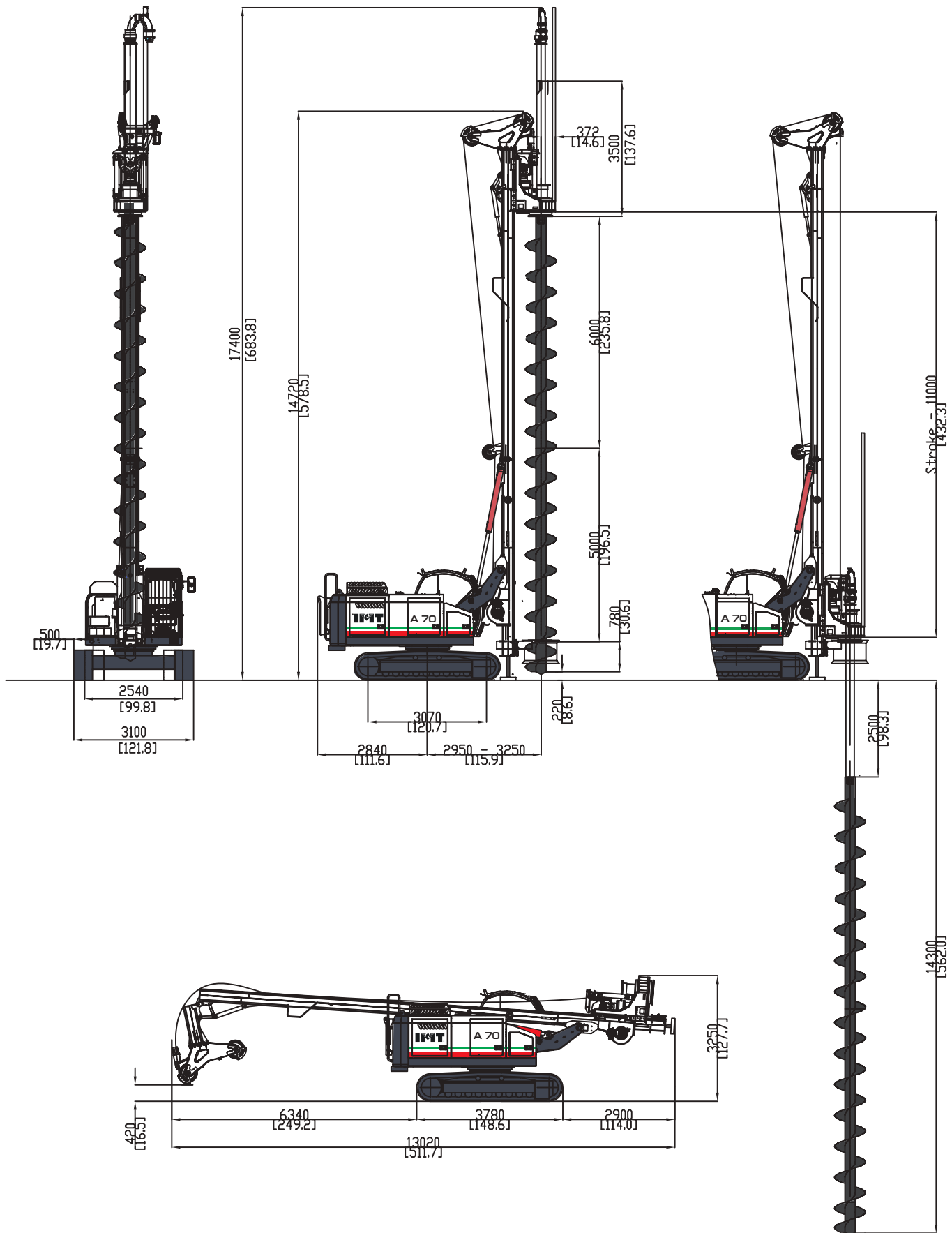
Working area LCA



A	MAX WORKING RADIUS 3240 [R 127,3]
B	MAX TOOL DIAMETER 1300 [ø 51,1]
C	MIN WORKING RADIUS 2940 [R 115,5]

A70 - Hydraulic Drill Rig

CFA version



Technical specifications

Crowd System		
Pushing force (optional)	kN	23
	lbf	5200
Pulling force	kN	170
	lbf	38200
Max push / pull speed	m / min	35/35
	ft / min	114
Rotary stroke	mm	11000
Main winch cable diameter	mm	20
Drilling depth maximum w/o auger extension	m	10,8
	ft	35,4
Drilling depth maximum w auger extensions	m	14,3
	ft	47
Auxiliary winch		
Auxiliary winch pull force	kN	30
	lbf	6750
Auxiliary winch speed diameter	m/min	35
	ft/min	110
Auxiliary winch cable diameter	mm	12
	in	/
Pile max diameter	mm	600
	in	24
Operating Weight without auger		
	t (metric)	25
	lbs	55200

A 70 - Hydraulic Drill Rig



A 70 - Hydraulic Drill Rig



A 70 - Hydraulic Drill Rig



Note

A series of horizontal lines for taking notes, starting below the 'Note' header and extending to the bottom of the page.



Note

A series of horizontal lines for taking notes, starting below the 'Note' header and extending to the bottom of the page.

A 70 - Hydraulic Drill Rig

Worldwide sales and assistance network



IMT dealers, a global network at your service
IMT, like very few other companies in the field,
has a global commercial and assistance network which is
present in over 30 countries.
From any part of the world IMT clients know which they
can always count on fast and efficient service.





I.M.T. S.r.l. - Industria Meccanica Trivelle
via D'Ancona,39 60027 Osimo (AN) Italy
Tel. +39 071 723341 - Fax +39 0717 133 352
imt@imtspa.com - www.imtspa.com